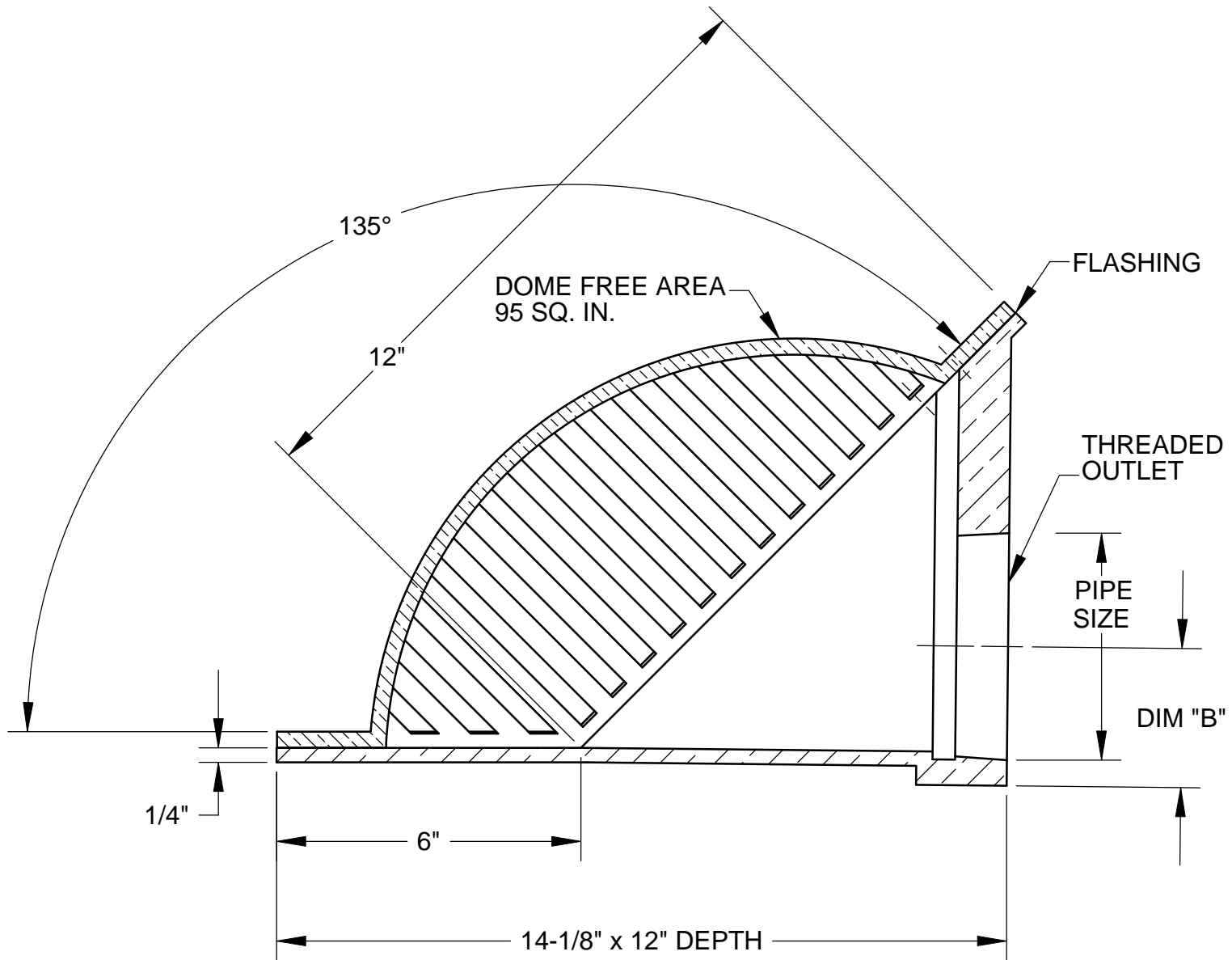


SPECIFICATION:

JOSAM 24900 SERIES COATED CAST IRON PARAPET TYPE ROOF DRAIN, SECURED BRONZE DOME WITH INTEGRAL FLASHING CLAMP, FLASHING FLANGE AND SIDE OUTLET THREADED CONNECTION.

**ROOF DRAIN
ANGLE PARAPET TYPE**

SERIES **24900**



2"	PIPE SIZE	DIM "B" = 1-5/8"	-20	GALVANIZED CAST IRON PARTS
3"	PIPE SIZE	DIM "B" = 2-3/16"	-24	ROUGH NIKALOY DOME
4"	PIPE SIZE	DIM "B" = 2-11/16"	-50	SATIN FINISH NIKALOY DOME
5"	PIPE SIZE	DIM "B" = 3-1/4"	-51	SATIN FINISH BRONZE DOME
6"	PIPE SIZE	DIM "B" = 3-3/4"	-61	DOWNSPOUT ELBOW (CAST IRON)
			-61-20	DOWNSPOUT ELBOW (GALVANIZED)
			-VP	VANDAL-PROOF DOME

DATE OF LAST CHANGE: 3/24/2010

DIMENSIONS ARE SUBJECT TO MANUFACTURERS TOLERANCES AND CHANGE WITHOUT NOTICE. WE CAN ASSUME NO RESPONSIBILITY FOR USE OF SUPERSEDED OR VOID DATA.

JOSAM COMPANY
MICHIGAN CITY, INDIANA

NOTES