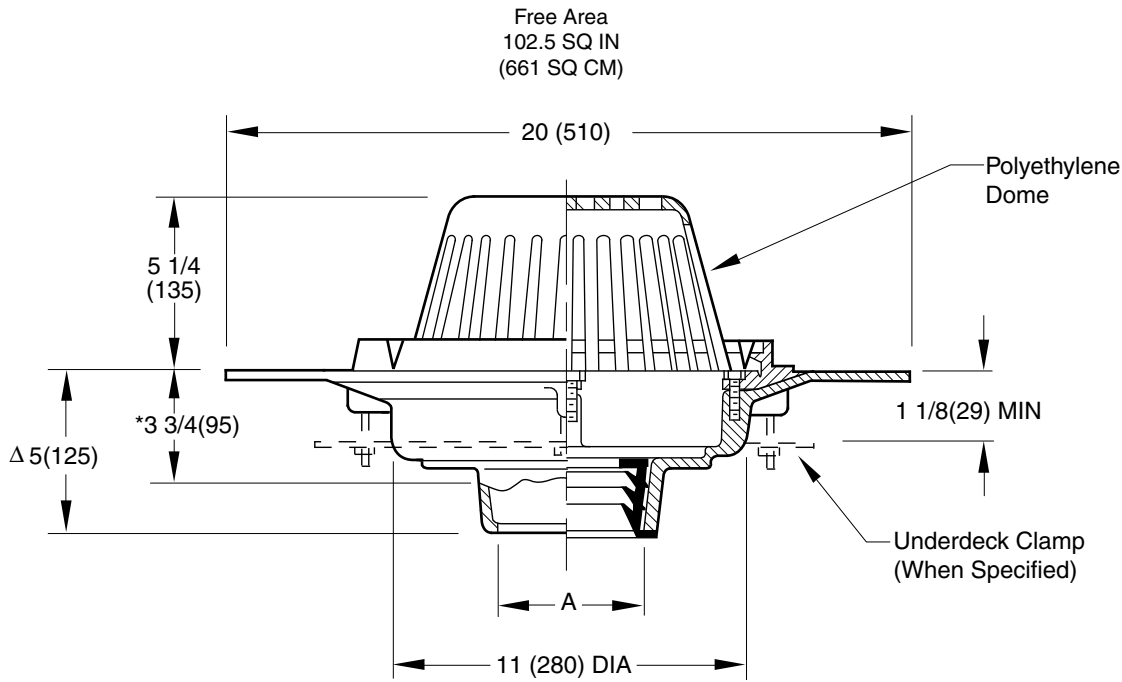




# GENERAL PURPOSE ROOF DRAINS

## WIDE FLANGE BODY WITH SECURED DOME

**FUNCTION:** For use in promenade roof deck and rooftop recreational areas where traffic bearing roof deck covering is to be applied. Drain body sump is protected from leaves, paper and other debris by large secured dome.



A (Pipe Size) = 02(50),03(75),04(100),05(125) or 06(150)

- Fig. DX1010C ..... CAULK OUTLET
- Fig. DX1010Y ..... NO-HUB OUTLET

**REGULARLY FURNISHED:**

Duco Cast Iron Wide Flange Body with Combined Flashing Clamp and Gravel Stop with Polyethylene Dome.

Δ Same for Caulk, NO-HUB and Speedi-Set. 3 3/4(95) for Threaded  
 NOTE: Recommended deck opening 14(355) DIA.

\*This Dimension to Internal Stop of Speedi-Set Gasket.

**VARIATIONS:**

- "L" Shaped Underdeck Clamp -CL
- L Speedi-Set Service Weight  
02(50), 03(75) & 04"(100) sizes only
- LXH Speedi-Set Extra Heavy  
02(50), 03(75) & 04"(100) sizes only
- Securing Holes -SH
- Underdeck Clamp -C
- Vandal Proof Dome -U
- T Threaded Outlet

**OPTIONAL MATERIALS:**

- ▲ Aluminum Dome -AD
- ▲ Cast Iron Dome -CID
- ▲ Galvanized Cast Iron Dome -CIDG
- Galvanized Cast Iron Body and Collar -G
- ▲ Rough Bronze Dome -RBD

▲ Optional domes' free area are as follows:

Aluminum	98 (632)
Cast Iron	80 (516)
Bronze	95 (613)

**NOTE:** Dimensions shown in parentheses are in millimeters.

DRAWING NUMBER  
SDX1010

SIZE  
A

SCALE:  
NONE

DATE:  
8-10-06

APPROVED BY:  
CL

CHECKED BY:  
CL

DRAWN BY:  
TBW

**DX1010**

WE CAN ASSUME NO RESPONSIBILITY FOR USE OF SUPERSEDED OR VOID DATA  
 DIMENSIONS ARE SUBJECT TO MANUFACTURERS TOLERANCE AND CHANGE WITHOUT NOTICE

FIGURE NUMBER

A	06/01/09	Added Optional Dome Notes	JJ	CL
REV.	DATE	DESCRIPTION	BY	CKD. BY

WEIGHT POUNDS	VOLUME CUBIC FEET

**FIGURE NUMBER**  
**DX1010**