

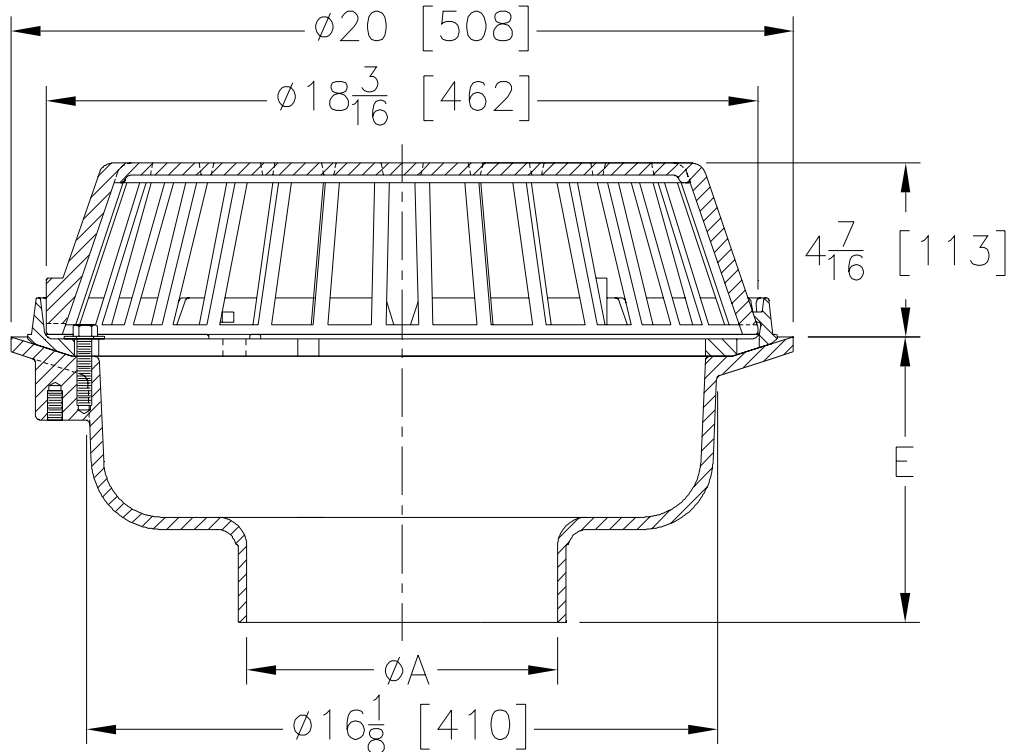


**Z101**  
**20 [508] DIAMETER MAIN ROOF DRAIN**  
**LOW SILHOUETTE DOME**

SPECIFICATION SHEET

TAG \_\_\_\_\_

Dimensional Data (inches and [mm]) are Subject to Manufacturing Tolerances and Change Without Notice



A- Pipe Size In.	Approx. Wt. Lbs. [kg]	Dome Open Area Sq. In. [cm <sup>2</sup> ]
8 [203]	77 [35]	216 [1394]
10 [245]	78 [35]	
12 [305]	79 [36]	

**ENGINEERING SPECIFICATION: ZURN Z101**  
 20 [508] Diameter roof drain. Dura-Coated cast iron body with combination membrane flashing clamp/gravel guard and low silhouette dome.

**PIPE SIZE**  
 8, 10, 12 [203, 254, 305]

(Specify size) **OUTLET**  
 \_\_\_\_\_ NH No-Hub

**'E' BODY HT. DIM.**  
 7 5/16 [185]

**PREFIXES**  
 \_\_\_\_\_ Z D.C.C.I. Body with Cast Iron Dome\*

**SUFFIXES**

- \_\_\_\_\_ -AR Acid Resistant Epoxy Coated
- \_\_\_\_\_ -DP Top-Set® Roof Deck Plate (Replaces both the -C and -R)
- \_\_\_\_\_ -E Static Extension 1 [25] thru 4 [102] (Specify Height)
- \_\_\_\_\_ -EB Top-Set® Adjustable Extension Assembly
- \_\_\_\_\_ -G Galvanized Cast Iron
- \_\_\_\_\_ -W2 2 [51] Internal Water Dam
- \_\_\_\_\_ -W3 3 [76] Internal Water Dam
- \_\_\_\_\_ -W4 4 [102] Internal Water Dam
- \_\_\_\_\_ -89 2 [51] High External Water Dam

REV. E	DATE: 5/2/06	C.N. NO. 95080
DWG. NO. 61557	PRODUCT NO. Z101	