

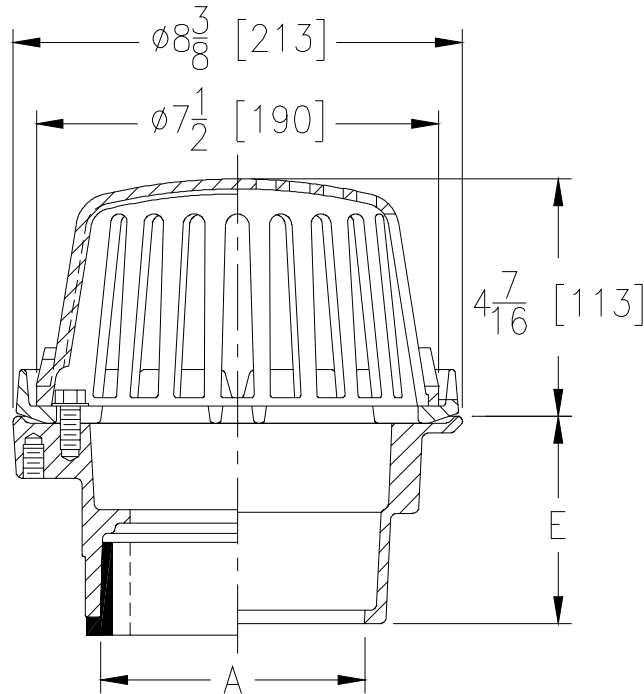


Z125
8 3/8 [213] DIAMETER ROOF DRAIN
LOW SILHOUETTE DOME

SPECIFICATION SHEET

TAG _____

Dimensional Data (inches and [mm]) are Subject to Manufacturing Tolerances and Change Without Notice



A Pipe Size In.	Approx. Wt. Lbs. [kg]	Dome Open Area Sq. In. [cm ²]
2-3-4 [51-76-102]	14 [6]	43 [277]

ENGINEERING SPECIFICATION: ZURN Z125
 8 3/8 [213] Diameter roof drain, Dura-Coated cast iron body with combination membrane flashing clamp/gravel guard and low silhouette cast iron dome.

OPTIONS (Check/specify appropriate options)

PIPE SIZE	(Specify size/type) OUTLET	'E' BODY HT. DIM.
2-3-4 [51-76-102]	_____ IC Inside Caulk	3 7/8 [98]
2-3-4 [51-76-102]	_____ IP Threaded	2 5/8 [67]
2-3-4 [51-76-102]	_____ NH No-Hub	3 7/8 [98]
2-3-4 [51-76-102]	_____ NL Neo-Loc	3 3/4 [95]

PREFIXES

- _____ Z D.C.C.I. Body with Dome*
- _____ ZA D.C.C.I. Body with Aluminum Dome
- _____ ZRB D.C.C.I. Body with Plain Bronze Dome

SUFFIXES

- | | |
|---|---|
| _____ -AR Acid Resistant Epoxy Coated Finish | _____ -SC Secondary Clamping Collar |
| _____ -BS Bronze Mesh Screen Over Dome | _____ -SS Stainless Mesh Screen Over Dome |
| _____ -C Underdeck Clamp | _____ -TC Neo-Loc Test Cap Gasket |
| _____ -DP Top-Set® Roof Deck Plate
(Replaces both the -C and -R) | _____ (2 - 4 [51 - 102] NL Bottom Outlet Only) |
| _____ -DR Top-Set® Drain Riser | _____ -VP Vandal Proof Secured Top |
| _____ -E 2 [51] High Static Extension (Specify Height) | _____ -XJ Vertical Expansion Joint (See Z190) |
| _____ -EB Top-Set® Adjustable Extension Assembly | _____ -84 Stainless Steel Perforated Gravel Guard |
| _____ -ES Static Extension with Secondary Clamp Collar
at Body (For Clamping at Roof Drain Body) | _____ -85 Stainless Steel Perforated Extension |
| _____ -G Galvanized Cast Iron | _____ -89 2 [51] High External Water Dam |
| _____ -R Roof Sump Receiver | _____ -90 90° Threaded Side Outlet Body
(2 - 4 [51 - 102]) (Previously Z126) |

REV. G DATE: 5/9/05 C.N. NO. 93334

DWG. NO. 58821 PRODUCT NO. Z125

*REGULARLY FURNISHED UNLESS OTHERWISE SPECIFIED