

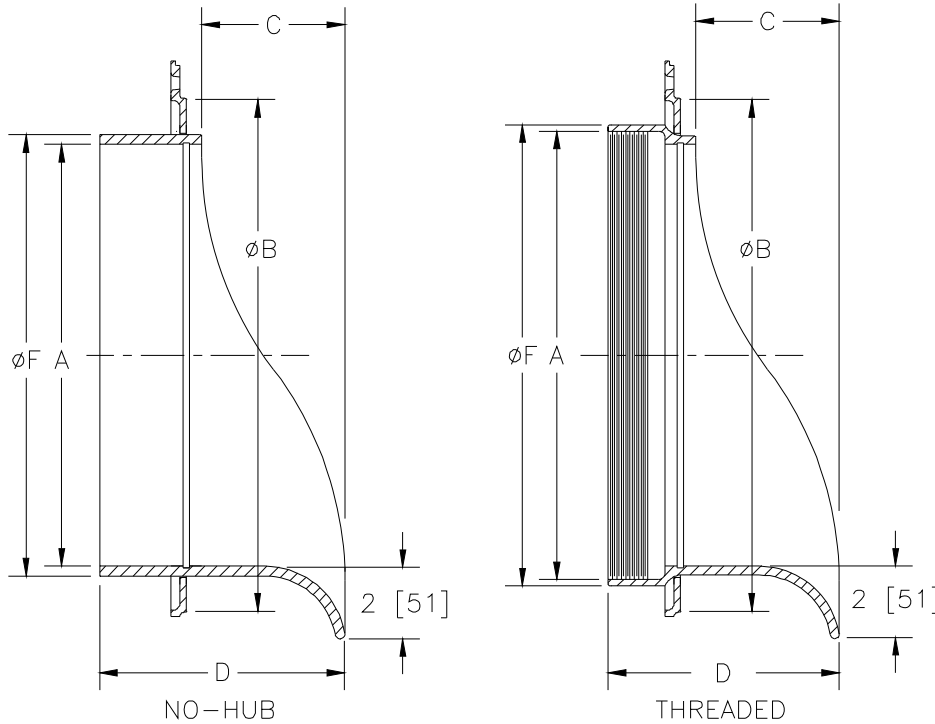


Z199 DOWNSPOUT NOZZLE

SPECIFICATION SHEET

TAG _____

Dimensional Data (inches and [mm]) are Subject to Manufacturing Tolerances and Change Without Notice



| A Pipe Size | Dimensions in inches | | | | | | Approx. Wt. Lbs. [kg] |
|----------------|----------------------|--------------|--------------|--------------|--------------|---------------|-----------------------------|
| | B | C | D | | F | | |
| | | | IP | NH | IP | NH | |
| 2 [51] | 4 1/2 [114] | 3 1/2 [89] | 5 1/2 [140] | 5 3/8 [137] | 3 [76] | 2 3/8 [60] | 5 [2] |
| 3 [76] | 5 1/2 [140] | 3 1/2 [89] | 5 1/2 [140] | 5 3/8 [137] | 4 [102] | 3 3/8 [86] | 6 [3] |
| 4 [102] | 6 5/8 [168] | 3 1/2 [89] | 5 1/2 [140] | 5 1/2 [140] | 5 [127] | 4 3/8 [111] | 7 [3] |
| 5 [127] | 7 5/8 [194] | 3 1/2 [89] | 5 1/2 [140] | 5 3/4 [146] | 6 1/8 [156] | 5 5/16 [135] | 12 [5] |
| 6 [152] | 8 5/8 [219] | 3 1/2 [89] | 5 1/2 [140] | 5 3/4 [146] | 7 1/8 [151] | 6 5/16 [160] | 13 [6] |
| 8 [203] | 10 5/8 [270] | 3 [76] | 5 1/2 [140] | 6 1/4 [159] | 9 1/8 [232] | 8 3/8 [213] | 14 [6] |
| 10 [254] | 12 5/8 [321] | 3 1/2 [89] | 6 [152] | 6 7/16 [164] | 11 1/8 [283] | 10 9/16 [268] | 15 [7] |
| 12 [305] | 14 5/8 [371] | 4 1/16 [103] | 6 9/16 [167] | 7 [178] | 13 1/8 [333] | 12 9/16 [319] | 18 [8] |

ENGINEERING SPECIFICATION: ZURN ZANB199

Downspout Nozzle, All nickel bronze body, optional threaded or no-hub inlet and decorative face of wall flange and outlet nozzle.

OPTIONS (Check/specify appropriate options)

PIPE SIZE

2 thru 6, 8, 10, 12 [51 thru 152, 203, 254, 305]
2 thru 6, 8, 10, 12 [51 thru 152, 203, 254, 305]

(Specify size/type) **OUTLET**

____ IP Threaded
____ NH No-Hub

PREFIXES

____ ZANB All Nickel Bronze Body*
____ ZAB All Polished Bronze Body
____ ZARB All Plain Bronze Body

SUFFIXES

____ -PVC PVC Connection
____ -SS Removable Stainless Screen

*REGULARLY FURNISHED UNLESS OTHERWISE SPECIFIED

| | | |
|-----------------------|-------------------------|-----------------------|
| REV. G | DATE: 03/11/08 | C.N. NO. 98224 |
| DWG. NO. 58841 | PRODUCT NO. Z199 | |