

SPECIFICATION:

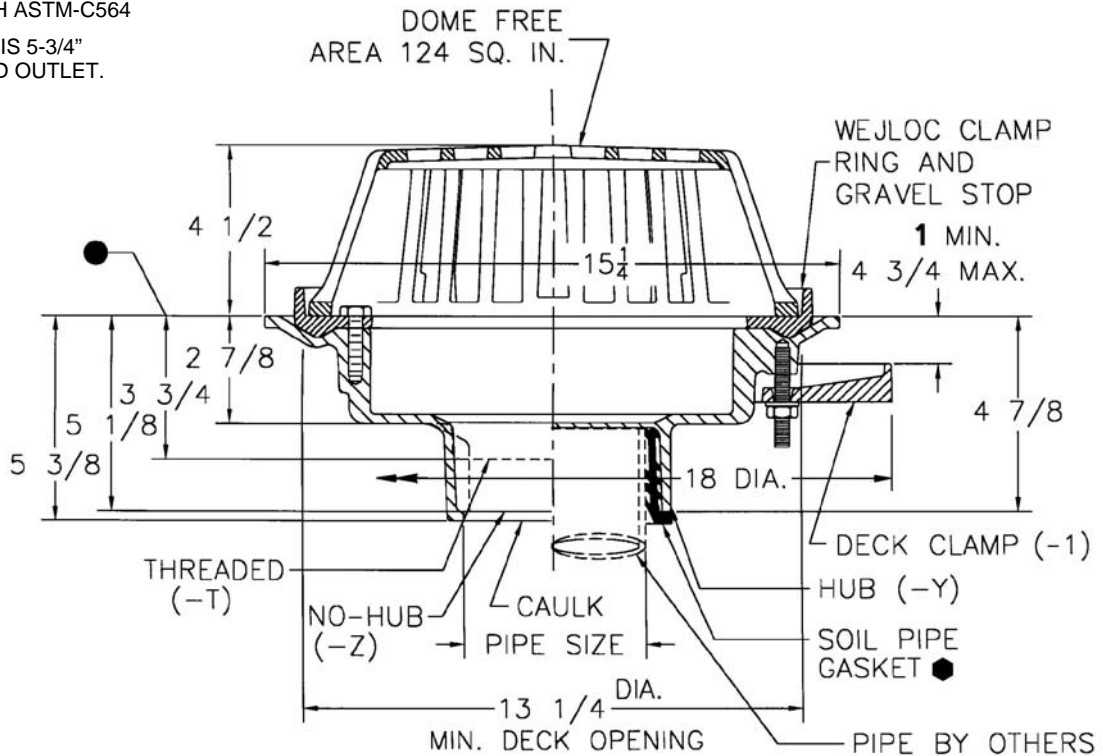
JOSAM 21500 SERIES COATED CAST IRON ROOF DRAIN, LARGE POLYPROPYLENE LOCKING DOME, WEJLOC® NON-PUNCTURING CLAMP RING WITH INTEGRAL GRAVEL STOP, LARGE SUMP WITH WIDE ROOF FLANGE AND BOTTOM OUTLET.

**ROOF DRAIN
LARGE SUMP**

SERIES

21500

- GASKET ON -Y CONNECTION CONFORMS WITH ASTM-C564
- THIS DIMENSION IS 5-3/4" ON 8" THREADED OUTLET.



PIPE SIZE
2"
3"
4"
5"
6"
8"
† 10"

† 10" AVAILABLE IN NO-HUB ONLY.

- | | |
|--|---|
| <ul style="list-style-type: none"> ▼ [] -AE THREADED LEVELZE® ADJ. EXT. ▼ [] -AER ADJUSTABLE EXTENSION USING THREADED RODS ▼ [] -IRMA PERFORATED STAINLESS STEEL EXTENSION [] -CR CLAMPING DRAIN RECEIVER (MIN. DECK OPENING Ø16") [] -1 DECK CLAMP ASSEMBLY [] -1C DRAIN RECEIVER CLIPS (MIN. DECK OPENING Ø16") [] -2 DRAIN RECEIVER [] -3 DECK CLAMP ASSEMBLY AND DRAIN RECEIVER [] -3C DRAIN RECEIVER AND DRAIN RECEIVER CLIPS [] -4 SECONDARY FLASHING CLAMP (-AE ONLY) ▼ [] -6 EXTRA WIDE FLANGE DRAIN BODY (-X OUTLET ONLY) [] -10 FIXED EXTENSION COLLAR, CAST IRON (SPECIFY HEIGHT**) [] -10-20 FIXED EXTENSION COLLAR, GALVANIZED (SPECIFY HEIGHT**) ▼ [] -16* INTERNAL WATERGUARD (2" THRU 6" OUTLETS ONLY) | <ul style="list-style-type: none"> ▼ [] -17* 2" HIGH SOLID CLAMPING COLLAR [] -19 CLAMP COLLAR W/ PERF. STAINLESS GRAVEL GUARD [] -20 GALVANIZED CAST IRON PARTS [] -21 GALVANIZED CAST IRON DOME ONLY [] -22 CAST IRON DOME [] -23 ROUGH BRONZE DOME [] -26 ALUMINUM DOME [] -33 STAINLESS STEEL MESH-COVERED DOME [] -VP VANDAL-PROOF DOME [] -66 NO-HUB SIDE OUTLET (2" THRU 6" OUTLETS ONLY) [] -T THREADED OUTLET [] -X INSIDE CAULK OUTLET [] -Y HUB OUTLET W/ GASKET (2", 3" & 4" SIZES ONLY) [] -Z NO-HUB SPIGOT OUTLET |
|--|---|

▼ SEPARATE SUBMITTAL FOR THIS OPTION AVAILABLE

* -16 & -17 CANNOT BE FURNISHED TOGETHER

** -10 EXTENSION 4" STANDARD

DRAWING No. 06/18/08

A-11736-K

JOSAM COMPANY
MICHIGAN CITY, INDIANA

NOTES: