

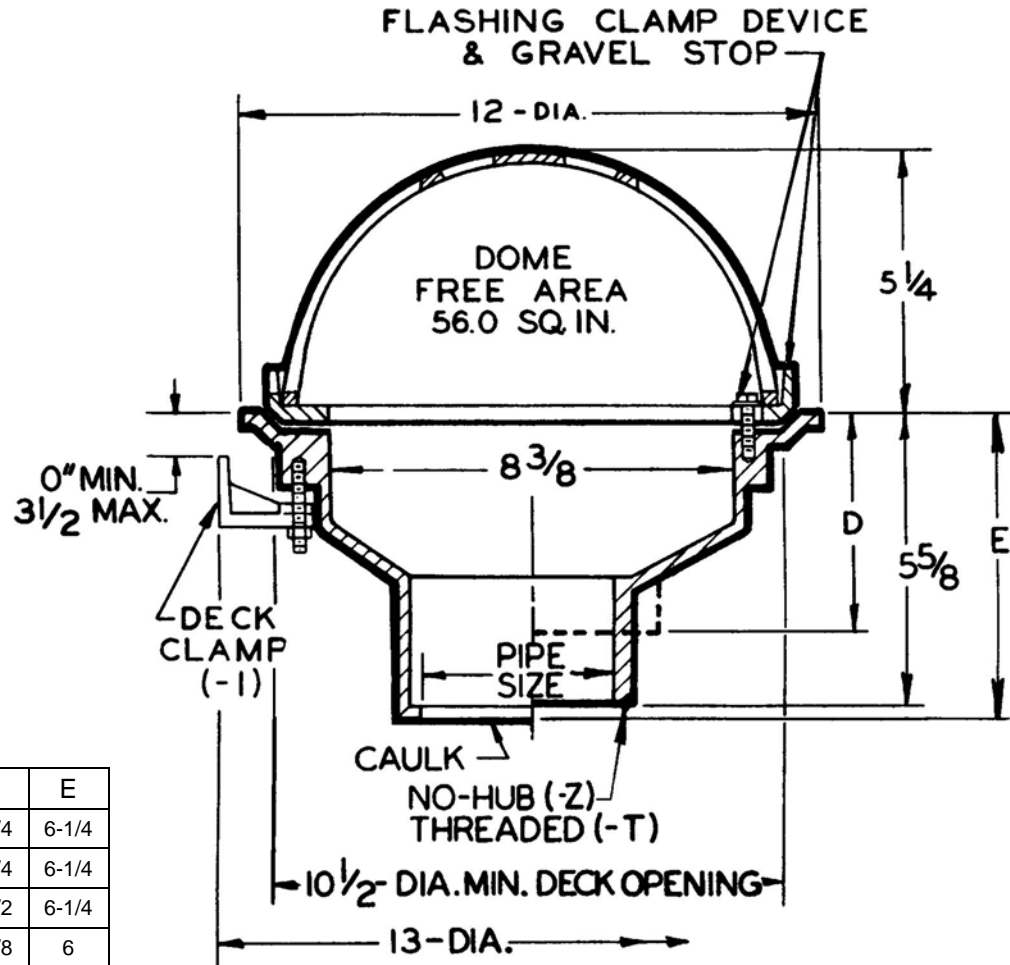
SPECIFICATION:

JOSAM 22010 SERIES COATED CAST IRON ROOF DRAIN, MEDIUM BEEHIVE DOME, NON-PUNCTURING CLAMP RING WITH INTEGRAL GRAVEL STOP, MEDIUM SUMP WITH ROOF FLANGE AND BOTTOM OUTLET.

**ROOF DRAIN
MEDIUM SUMP, BEEHIVE DOME**

SERIES

22010



PIPE SIZE	D	E
2"	4-3/4	6-1/4
3"	4-3/4	6-1/4
4"	4-1/2	6-1/4
5"	4-3/8	6
6"	4	5-3/4

-
-
-
-
-
-
-
-
-

- 1 DECK CLAMP ASSEMBLY
- 1C DRAIN RECEIVER CLIPS (MIN. DECK OPENING Ø16.5")
- 2 DRAIN RECEIVER
- 3 DECK CLAMP ASSEMBLY AND DRAIN RECEIVER
- 3C DRAIN RECEIVER AND DRAIN RECEIVER CLIPS
- 10 FIXED EXTENSION COLLAR, CAST IRON (SPECIFY HEIGHT**)
- 10-20 FIXED EXTENSION COLLAR, GALVANIZED (SPECIFY HEIGHT**)
- 17 2" HIGH SOLID CLAMPING COLLAR
- 19 CLAMP COLLAR W/ PERF. STAINLESS GRAVEL GUARD

-
-
-
-
-
-
-
-
-

- 20 GALVANIZED CAST IRON PARTS
- 21 GALVANIZED CAST IRON DOME ONLY
- 23 ROUGH BRONZE DOME
- VP VANDAL-PROOF DOME
- 66 NO-HUB SIDE OUTLET (2" THRU 6" OUTLETS ONLY)
- T THREADED OUTLET
- X INSIDE CAULK OUTLET
- Z NO-HUB SPIGOT OUTLET

** -10 EXTENSION 4" STANDARD

DRAWING No. 01/25/08

A-07639-K

JOSAM COMPANY
MICHIGAN CITY, INDIANA

NOTES: