

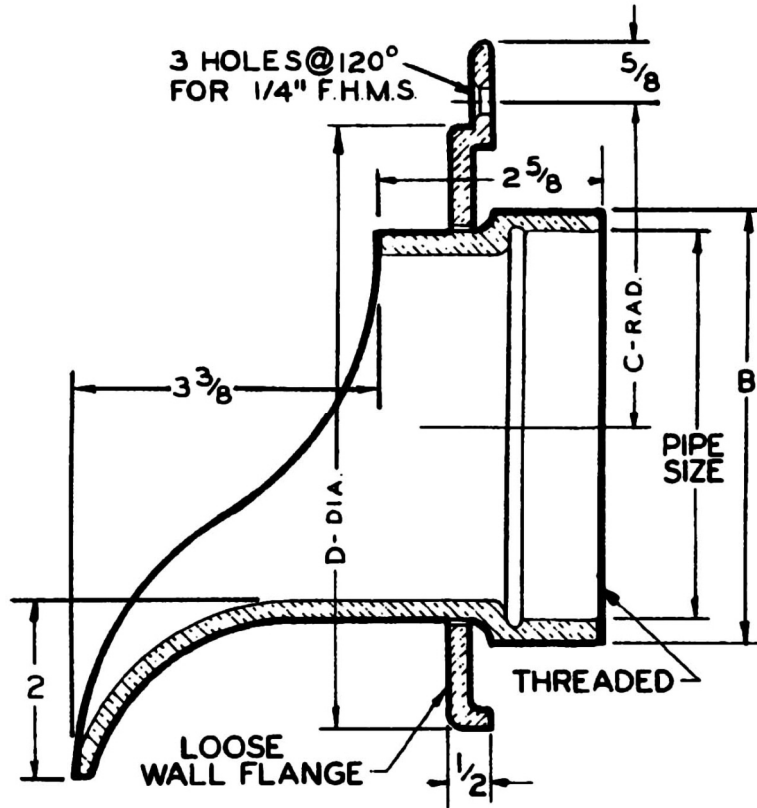
SPECIFICATION:

JOSAM 25010 SERIES COATED CAST BRONZE DOWNSPOUT NOZZLE, LOOSE WALL FLANGE AND INLET THREADED CONNECTION.

**ROOF DRAIN
DOWNSPOUT NOZZLE**

SERIES

25010



PIPE SIZE	B	C	D
2"*	4	3-3/8	6
3"	4	3-3/8	6
4"	5	3-7/8	7
5"*	7-1/2	4-7/8	9
6"	7-1/2	4-7/8	9
8"	9-5/8	5-7/8	11
10"	11-1/4	6-3/4	12-3/4

- 24 ROUGH NIKALOY
- 51 SATIN FINISH BRONZE
- BS BIRD SCREEN

* FOR 2" SIZE. FURNISHED WITH 3" BODY WITH 3" X 2" C.I. REDUCING BUSHING
FOR 5" SIZE. FURNISHED WITH 6" BODY WITH 6" X 5" C.I. REDUCING BUSHING

DRAWING No.

A-01956-K

JOSAM COMPANY
MICHIGAN CITY, INDIANA

NOTES: