

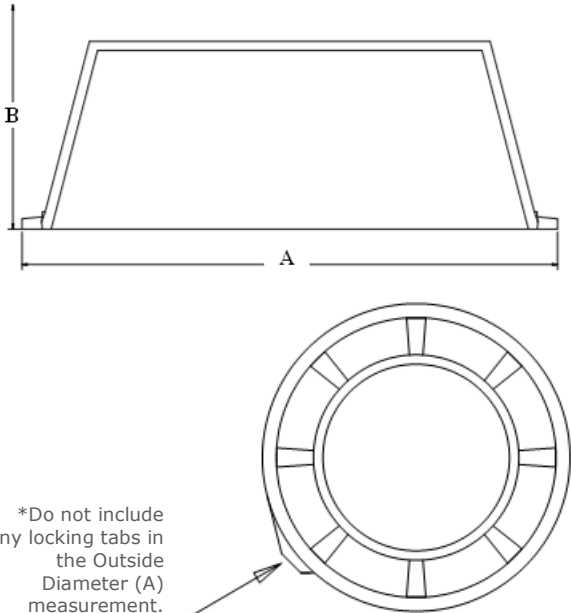
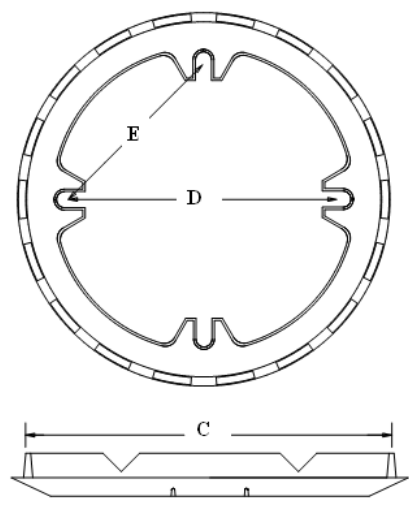
# RoofdrainExpress.com

Roof Drains & Replacement Parts

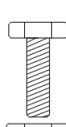
## Roof Drain Parts Worksheet

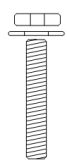
Date: \_\_\_\_\_  
 Project: \_\_\_\_\_  
 Contractor: \_\_\_\_\_

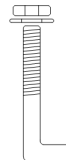
Contact: \_\_\_\_\_  
 Phone: \_\_\_\_\_  
 e-mail: \_\_\_\_\_

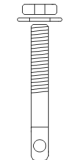
<p style="text-align: center;"><b>Dome Dimensions Needed</b></p>  <p style="font-size: small;">*Do not include any locking tabs in the Outside Diameter (A) measurement.</p>	<p style="text-align: center;"><b>Clamp Ring Dimensions Needed</b></p>  <p style="font-size: small;"><b>Outside Diameter (C)</b>- Measure from lip to lip. Pull the tape measure tight for accurate measurement.  <b>Bolt to Bolt (D &amp; E)</b>- Measure from center to center of bolt holes.</p>
--	--

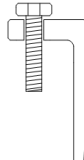
**Drain Fastener Types:**

  
Type 1


  
Type 2


  
Type 3

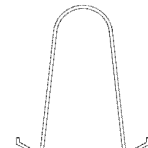
  
Type 4

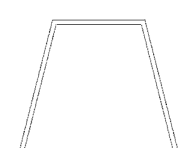
  
Type 5


**Drain Dome Types:**

  
Type 1

  
Type 2

  
Type 3

  
Type 4

  
Type 5

Drain #	Dome Type	Dimension A	Dimension B	Dimension C	Dimension D	Dimension E	Number of Bolt Holes	Fastener Type
<b>Example</b>	Type 1	13"	4.5"	13.75"	10.25"	7.5"	4	Type 4
<b>1.</b>								
<b>2.</b>								
<b>3.</b>								
<b>4.</b>								