

Hercules® RetroDrain

PRODUCT DATA SPECIFICATIONS

PRODUCT DESCRIPTION

One-piece spun aluminum body and heavy duty cast aluminum strainer dome and clamping ring provide strength and durability. The drain flange has a depressed sump area to facilitate water drainage from the roof surface. The original U-Flow® Seal provides a mechanical watertight connection to PVC or cast iron pipes to prevent water from backup damage.

FEATURES & BENEFITS

- One piece seamless body provides strength and durability without separation of the flange from the stem.
- Extra large flange allows positive attachment of roof flashing membrane while the sump area facilitates drainage.
- Simple and easy to install from rooftop in 15 to 30 minutes.
- Cast aluminum strainer dome and clamping ring.
- 12-in. long drain stem accommodates most existing field conditions with longer lengths available.
- Incorporates the original U-Flow Seal.

- Also available with a plastic dome or the cast-aluminum SuperDome.
- Saves time and money by allowing easy installation from the rooftop without disturbing occupants.

APPROVALS & STANDARDS



ANSI/SPRI RD-1 – developed by SPRI (Sheet membrane and component suppliers to the commercial roofing industry), a certified canvasser of ANSI (American National Standards Institute), and features a test protocol designed to assure a leak-free connection to existing plumbing.



ULC/ORD-C790.4 – developed by Underwriters' Laboratories of Canada and features a test protocol designed to assure a leak-free connection to existing plumbing and impact testing to provide strength.



PHYSICAL DATA

The data below is constant for each Hercules RetroDrain.

DRAIN BODY		SEAL	
11 gauge (.125") spun aluminum		Watertight U-Flow mechanical seal requires U-Flow screwdriver	
FLANGE		STRAINER DOME	
17½" diameter with sump area		Cast aluminum, plastic or aluminum SuperDome	
STEM		CLAMP RING	
12" length		Cast aluminum	

ORDERING INFORMATION

CAT. NO.	SIZE	DOMES TYPE	PKG	WEIGHT
HDAL3A	3"	Aluminum	Each	27 lbs.
HDAL4A	4"	Aluminum	Each	27 lbs.
HDAL5A	5"	Aluminum	Each	27 lbs.
HDAL6A	6"	Aluminum	Each	27 lbs.

RP10130A



ROOFING PRODUCTS

153 BOWLES ROAD, AGAWAM, MA 01001
800-633-3800 WWW.OLYFAST.COM INFO@OLYFAST.COM

Hercules®, RetroDrain®, OlyFlow®, SuperDome® and U-Flow® are trademarks of OMG, Inc. Copyright © 2010 OMG, Inc. All rights reserved.

Hercules® RetroDrain

INSTALLATION PROCEDURE

FOR USE WITH

All types of roof covers.

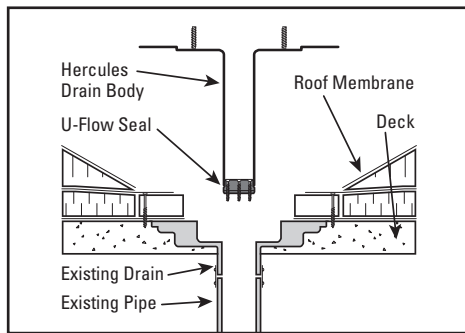
INSPECTION

Remove existing strainer dome and clamping ring. Remove other existing drain components as required to enable Hercules Drain flange to lie flush on roof membrane. Remove any debris or constricting materials in the existing drain pipe that interferes with proper installation.

JOB PREPARATION

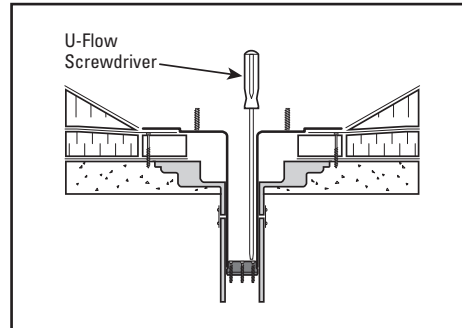
Remove existing strainer dome and clamping ring. Remove other existing drain components as required to enable Hercules Drain flange to lie flush on roof membrane. Remove any debris or constricting materials in the existing drain pipe that interferes with proper installation.

STEP 1



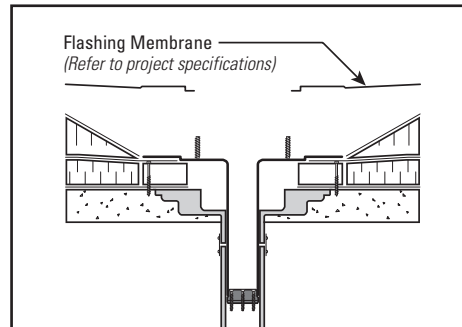
Examine the existing water leader to make sure there are no elbows that prevent the drain stem from being fully inserted into the pipe. Insert U-Flow® Seal into end of drain stem and tighten screws enough to hold the seal in place during installation. Insert assembled drain into existing leader pipe until flange lies flush on roof membrane.

STEP 2



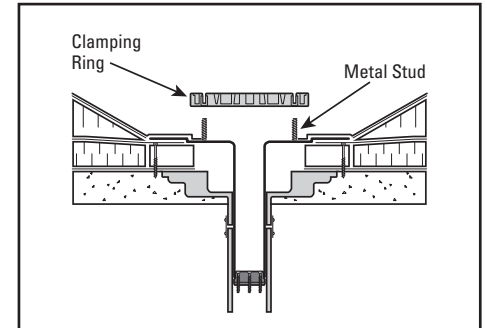
Alternately tighten seal compression ring screws with U-Flow Screwdriver until hand tight. Hercules Drain body is correctly installed when pressure placed on drain body results in no vertical movement. Do not overtighten the screws.

STEP 3



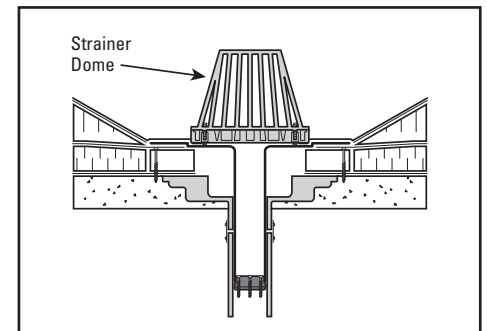
Secure the drain flange to the roof deck/nailer using a minimum of three pan-head fasteners, evenly spaced around the flange. The flashing membrane must cover and extend past the fastener head. Flashing membrane must be installed per roof membrane manufacturer's detail.

STEP 4



Place clamping ring over metal studs. Install stainless steel nut and lock washers tightening clamping ring against membrane flashing until secure.

STEP 5



Install strainer dome by aligning screw holes with the holes in the clamping ring. Secure with screws provided.

**For technical assistance contact
OMG at 800-633-3800.**



ROOFING PRODUCTS

153 BOWLES ROAD, AGAWAM, MA 01001
800-633-3800 WWW.OLYFAST.COM INFO@OLYFAST.COM

Hercules®, RetroDrain®, OlyFlow®, SuperDome® and U-Flow® are trademarks of OMG, Inc.
Copyright © 2010 OMG, Inc. All rights reserved.